

Evac D40 Mini Mini Evac Emergency Light



Description

The EVAC D40 MINI Recessed Emergency Light features LED technology providing an energy efficient light source with high output, which is ideal for a range of emergency lighting applications. Featuring a polarity reversal protection switch mode for the battery, making it ideal for jobs which have not been completed yet which require the power to be turned off from the mains. Available in White and Black colour options. Ideal for recessed applications where a smaller and unobtrusive appearance is desired. Commonly used in Suspended and Surface Mounted LED Profiles, transforming them into emergency options. Suitable for commercial and interior areas such as apartments, shopping centres, hospitality etc.

Specification Features

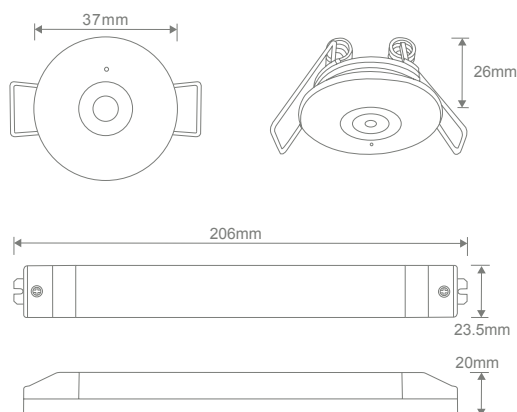
Input Voltage:	240V AC
Power (W):	1.8W
IP rating (IP):	IP20*
Class:	Class II
Lumens (lm):	White 4000K - 130lm
LED type:	COB
CCT:	4000K
Battery:	LiFePO4 3.2V 1.8Ah
Mounting:	Recessed Mounting
Emergency Duration:	3hrs
Beam angle (°):	120°
Classification:	D40
Lifespan (hrs):	50,000hrs
Cutout (Ø):	Ø25mm
Compliance:	Fully compliant to AS/NZS 2293.3 standards

EVAC-D40-MINI Products are all self test.



Item No.	Variant		CCT
	Wht	Blk	
EVAC-D40-MINI	66047	66048	4000K

Diagrams / Additional



ESCAPE
Emergency Systems